



COMPANY HEADQUARTERS
 19011 E. Cataldo Ave.
 Spokane Valley, WA 99016
 (800) 541-4383 or (509) 926-7143
 Fax: (509) 928-1116

ARIZONA OFFICE
 6760 South Clementine Ct.
 Tempe, AZ 85283
 (800) 835-9673 or (480) 966-8999
 Fax: (480) 968-4108

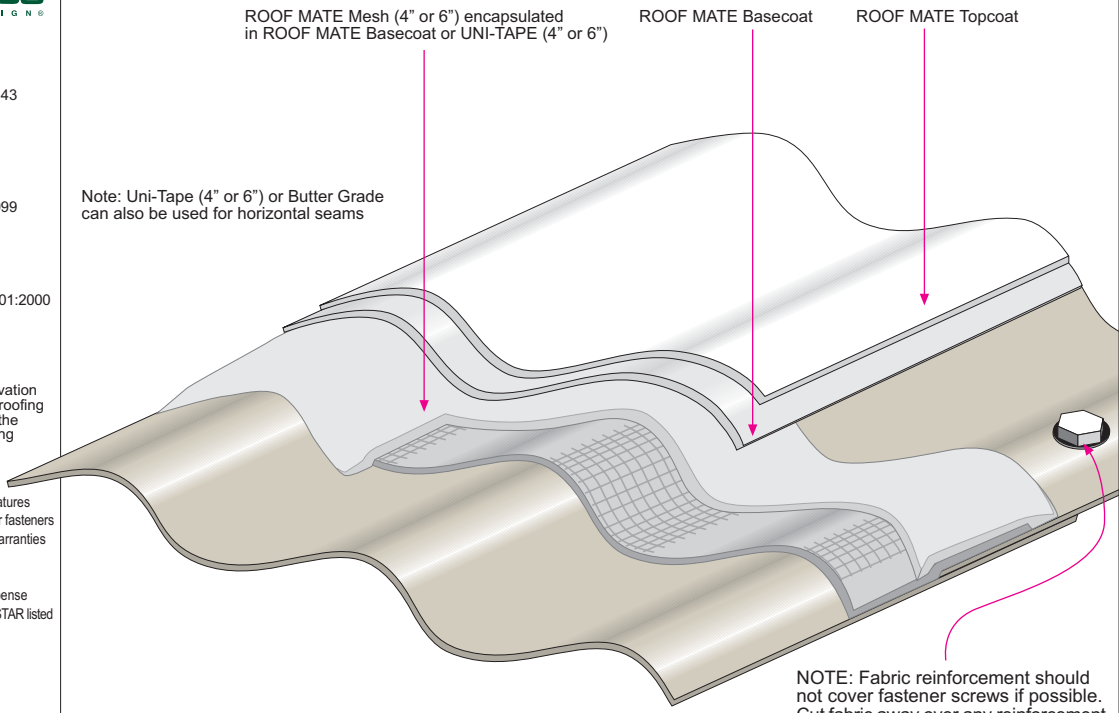
www.unitedcoatings.com

UNITED COATINGS is a ISO 9001:2000 registered company.

ROOF MATE

The ROOF MATE Roof Preservation System forms a durable waterproofing membrane designed to extend the life of virtually any new or existing roof substrate.

- Reflects 85+% of the sun's rays
- Dramatically reduces interior temperatures
- Monolithic, liquid-applied; no seams or fasteners
- Fully sustainable 5, 10 and 15 year warranties
- Apply to virtually any roof substrate
- Reduces "Heat Island" effect
- Tax deductible as a maintenance expense
- UL, FM, ICBO, CRRC, ICC, ENERGY STAR listed
- NOA 03-1223.02
 Miami-Dade County, Florida
 Expiration Date 04/01/09
- Classified cool construction material



Note: Uni-Tape (4" or 6") or Butter Grade can also be used for horizontal seams

NOTE: Fabric reinforcement should not cover fastener screws if possible. Cut fabric away over any reinforcement screws so that it lays flat and is 100% adhered to the substrate.

Title:
ROOF MATE
 Corrugated Metal Horizontal End-Lap Seam
 Version: 01 Supersedes 04/18/06 Date: 06/14/07



COMPANY HEADQUARTERS
 19011 E. Cataldo Ave.
 Spokane Valley, WA 99016
 (800) 541-4383 or (509) 926-7143
 Fax: (509) 928-1116

ARIZONA OFFICE
 6760 South Clementine Ct.
 Tempe, AZ 85283
 (800) 835-9673 or (480) 966-8999
 Fax: (480) 968-4108

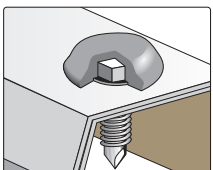
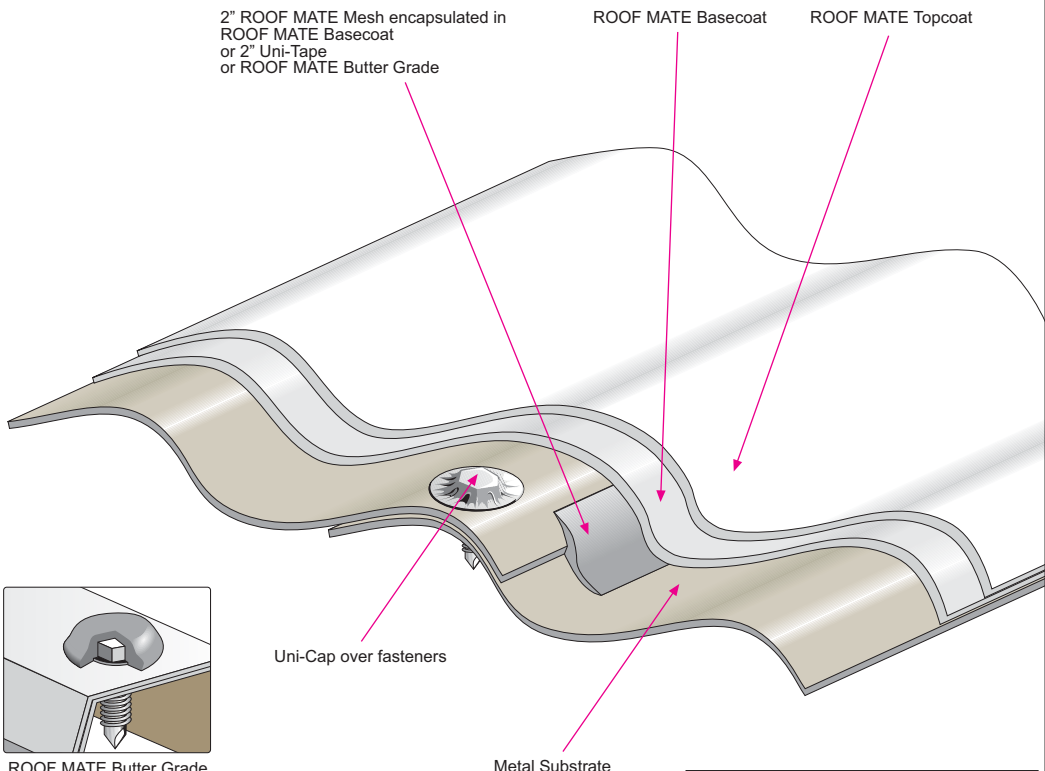
www.unitedcoatings.com

UNITED COATINGS is a ISO 9001:2000 registered company.

ROOF MATE

The ROOF MATE Roof Preservation System forms a durable waterproofing membrane designed to extend the life of virtually any new or existing roof substrate.

- Reflects 85+% of the sun's rays
- Dramatically reduces interior temperatures
- Monolithic, liquid-applied; no seams or fasteners
- Fully sustainable 5, 10 and 15 year warranties
- Apply to virtually any roof substrate
- Reduces "Heat Island" effect
- Tax deductible as a maintenance expense
- UL, FM, ICBO, CRRC, ICC, ENERGY STAR listed
- NOA 03-1223.02
 Miami-Dade County, Florida
 Expiration Date 04/01/09
- Classified cool construction material



ROOF MATE Butter Grade over fasteners (option to UNI-CAPS)

Title:
ROOF MATE
 Corrugated Metal Vertical Side-Lap Seam
 Version: 01 Supersedes 04/18/06 Date: 06/14/07



COMPANY HEADQUARTERS
 19011 E. Cataldo Ave.
 Spokane Valley, WA 99016
 (800) 541-4383 or (509) 926-7143
 Fax: (509) 928-1116

ARIZONA OFFICE
 6760 South Clementine Ct.
 Tempe, AZ 85283
 (800) 835-9673 or (480) 966-8999
 Fax: (480) 968-4108

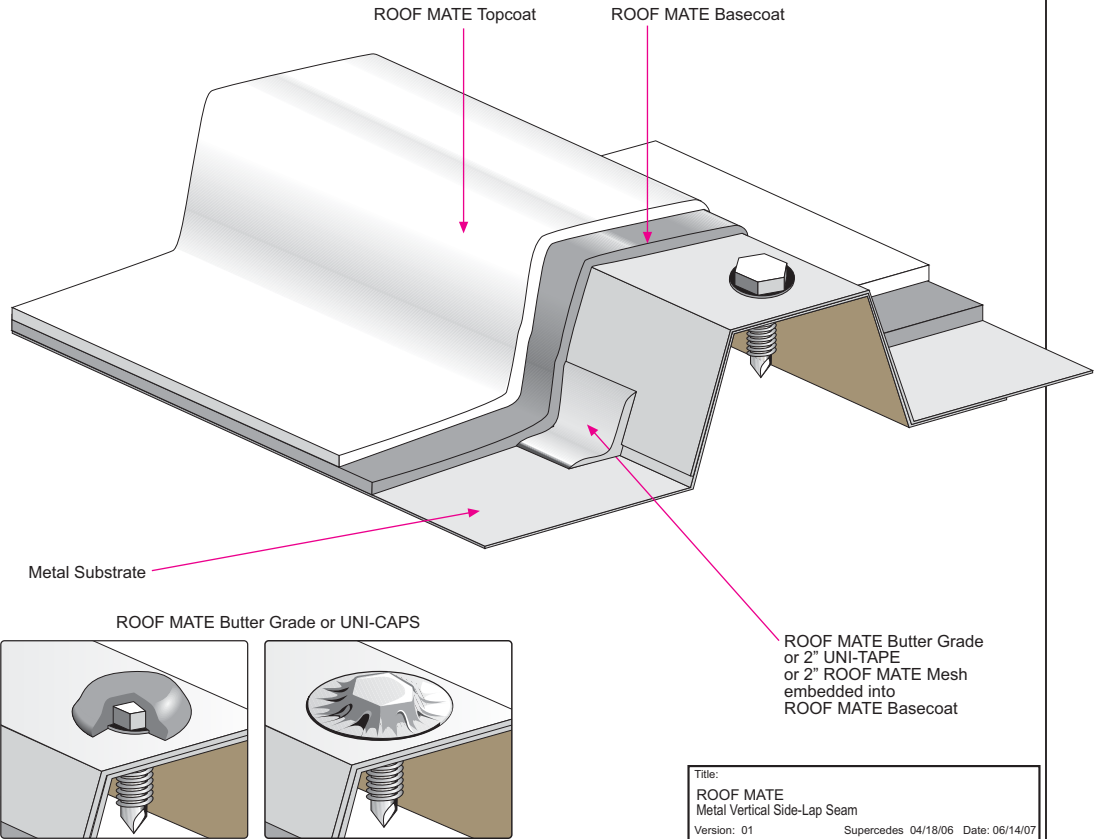
www.unitedcoatings.com

UNITED COATINGS is a ISO 9001:2000 registered company.

ROOF MATE

The ROOF MATE Roof Preservation System forms a durable waterproofing membrane designed to extend the life of virtually any new or existing roof substrate.

- Reflects 85+% of the sun's rays
- Dramatically reduces interior temperatures
- Monolithic, liquid-applied; no seams or fasteners
- Fully sustainable 5, 10 and 15 year warranties
- Apply to virtually any roof substrate
- Reduces "Heat Island" effect
- Tax deductible as a maintenance expense
- UL, FM, ICBO, CRRC, ICC, ENERGY STAR listed
- NOA 03-1223.02
 Miami-Dade County, Florida
 Expiration Date 04/01/09
- Classified cool construction material



Title:
ROOF MATE
 Metal Vertical Side-Lap Seam
 Version: 01 Supersedes 04/18/06 Date: 06/14/07



COMPANY HEADQUARTERS
 19011 E. Cataldo Ave.
 Spokane Valley, WA 99016
 (800) 541-4383 or (509) 926-7143
 Fax: (509) 928-1116

ARIZONA OFFICE
 6760 South Clementine Ct.
 Tempe, AZ 85283
 (800) 835-9673 or (480) 966-8999
 Fax: (480) 968-4108

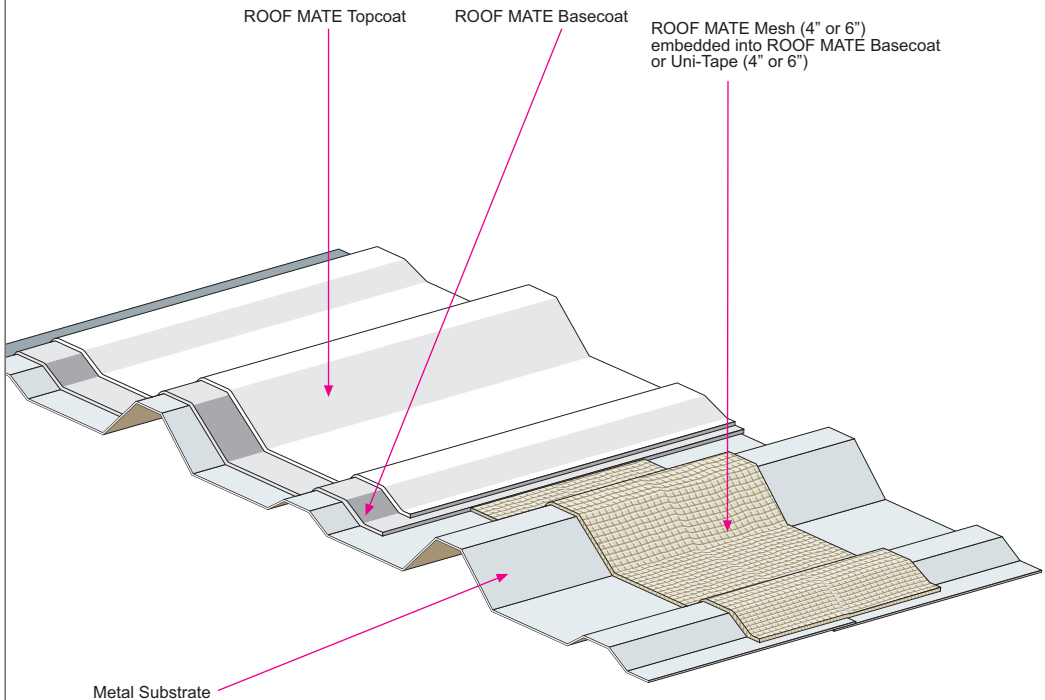
www.unitedcoatings.com

UNITED COATINGS is a ISO 9001:2000 registered company.

ROOF MATE

The ROOF MATE Roof Preservation System forms a durable waterproofing membrane designed to extend the life of virtually any new or existing roof substrate.

- Reflects 85+% of the sun's rays
- Dramatically reduces interior temperatures
- Monolithic, liquid-applied; no seams or fasteners
- Fully sustainable 5, 10 and 15 year warranties
- Apply to virtually any roof substrate
- Reduces "Heat Island" effect
- Tax deductible as a maintenance expense
- UL, FM, ICBO, CRRC, ICC, ENERGY STAR listed
- NOA 03-1223.02
 Miami-Dade County, Florida
 Expiration Date 04/01/09
- Classified cool construction material



Title:
ROOF MATE
 Metal End-Lap Seam
 Version: 01 Supersedes 04/18/06 Date: 06/14/07



COMPANY HEADQUARTERS

19011 E. Cataldo Ave.
 Spokane Valley, WA 99016
 (800) 541-4383 or (509) 926-7143
 Fax: (509) 928-1116

ARIZONA OFFICE

6760 South Clementine Ct.
 Tempe, AZ 85283
 (800) 835-9673 or (480) 966-8999
 Fax: (480) 968-4108

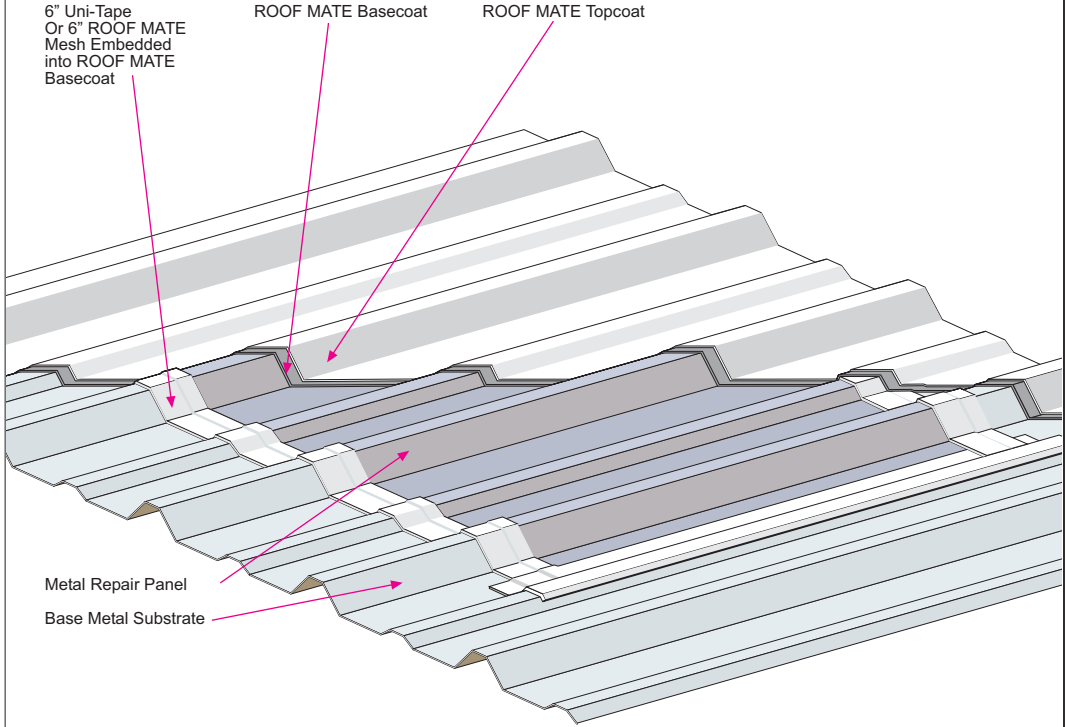
www.unitedcoatings.com

UNITED COATINGS is a ISO 9001:2000 registered company.

ROOF MATE

The ROOF MATE Roof Preservation System forms a durable waterproofing membrane designed to extend the life of virtually any new or existing roof substrate.

- Reflects 85+% of the sun's rays
- Dramatically reduces interior temperatures
- Monolithic, liquid-applied; no seams or fasteners
- Fully sustainable 5, 10 and 15 year warranties
- Apply to virtually any roof substrate
- Reduces "Heat Island" effect
- Tax deductible as a maintenance expense
- UL, FM, ICBO, CRRC, ICC, ENERGY STAR listed
- NOA 03-1223.02
 Miami-Dade County, Florida
 Expiration Date 04/01/09
- Classified cool construction material



Title:
ROOF MATE
 Metal Repair
 Version: 01 Supersedes 04/18/06 Date: 06/14/07



COMPANY HEADQUARTERS

19011 E. Cataldo Ave.
 Spokane Valley, WA 99016
 (800) 541-4383 or (509) 926-7143
 Fax: (509) 928-1116

ARIZONA OFFICE

6760 South Clementine Ct.
 Tempe, AZ 85283
 (800) 835-9673 or (480) 966-8999
 Fax: (480) 968-4108

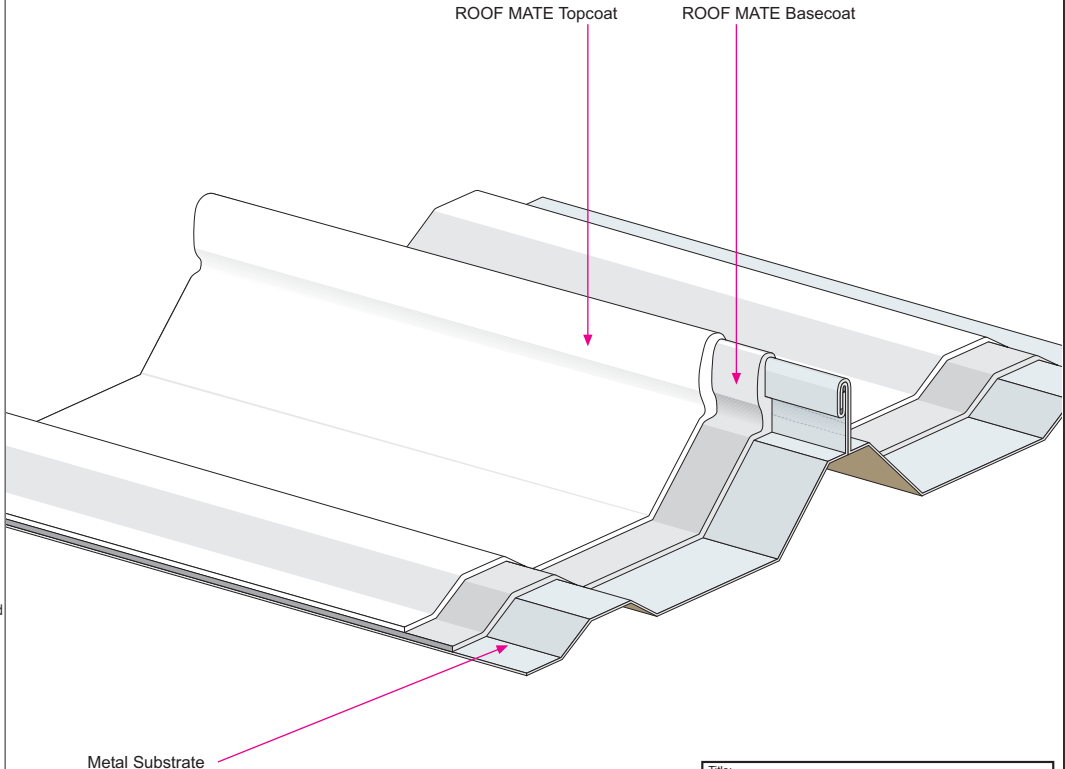
www.unitedcoatings.com

UNITED COATINGS is a ISO 9001:2000 registered company.

ROOF MATE

The ROOF MATE Roof Preservation System forms a durable waterproofing membrane designed to extend the life of virtually any new or existing roof substrate.

- Reflects 85+% of the sun's rays
- Dramatically reduces interior temperatures
- Monolithic, liquid-applied; no seams or fasteners
- Fully sustainable 5, 10 and 15 year warranties
- Apply to virtually any roof substrate
- Reduces "Heat Island" effect
- Tax deductible as a maintenance expense
- UL, FM, ICBO, CRRC, ENERGY STAR certified
- NOA 03-1223.02
 Miami-Dade County, Florida
 Expiration Date 04/01/09
- Classified cool construction material



Title:
ROOF MATE
 Rolled Metal Seam w/ Basecoat & Topcoat
 Version: 01 Supersedes 04/18/06 Date: 06/14/07



COMPANY HEADQUARTERS
 19011 E. Cataldo Ave.
 Spokane Valley, WA 99016
 (800) 541-4383 or (509) 926-7143
 Fax: (509) 928-1116

ARIZONA OFFICE
 6760 South Clementine Ct.
 Tempe, AZ 85283
 (800) 835-9673 or (480) 966-8999
 Fax: (480) 968-4108

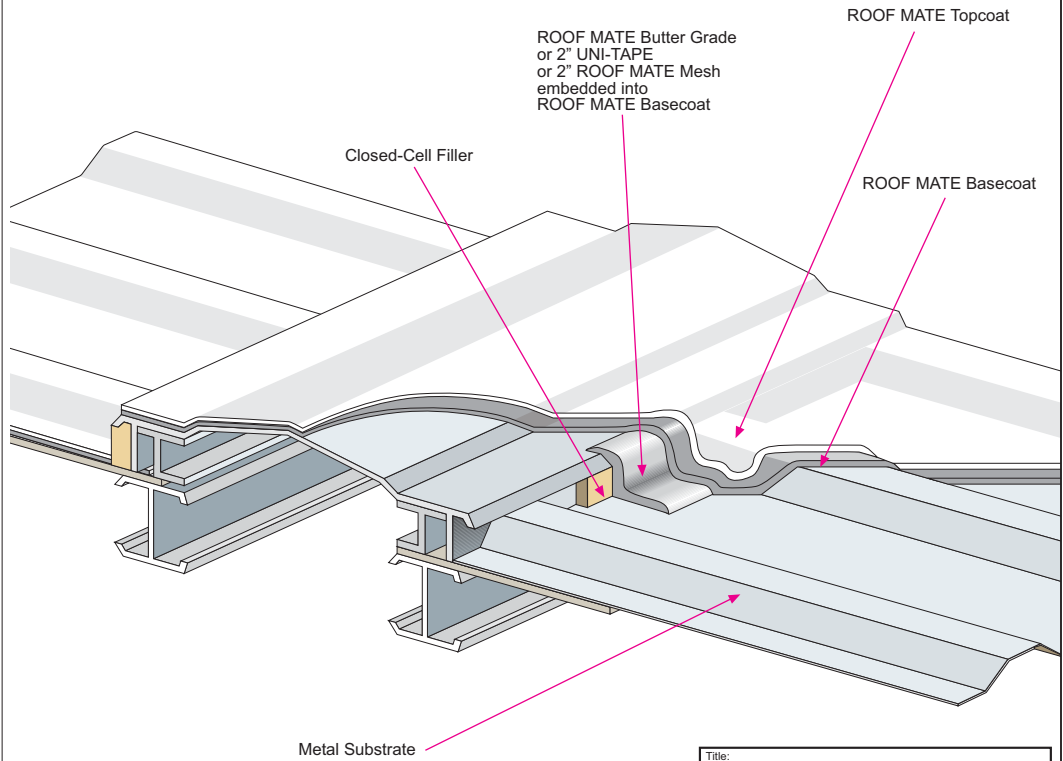
www.unitedcoatings.com

UNITED COATINGS is a ISO 9001:2000 registered company.

ROOF MATE

The ROOF MATE Roof Preservation System forms a durable waterproofing membrane designed to extend the life of virtually any new or existing roof substrate.

- Reflects 85+% of the sun's rays
- Dramatically reduces interior temperatures
- Monolithic, liquid-applied; no seams or fasteners
- Fully sustainable 5, 10 and 15 year warranties
- Apply to virtually any roof substrate
- Reduces "Heat Island" effect
- Tax deductible as a maintenance expense
- UL, FM, ICBO, CRRC, ICC, ENERGY STAR listed
- NOA 03-1223.02
 Miami-Dade County, Florida
 Expiration Date 04/01/09
- Classified cool construction material



Title:
ROOF MATE
 Elevated Metal Ridge Cap
 Version: 01 Supersedes 04/18/06 Date: 06/14/07



COMPANY HEADQUARTERS
 19011 E. Cataldo Ave.
 Spokane Valley, WA 99016
 (800) 541-4383 or (509) 926-7143
 Fax: (509) 928-1116

ARIZONA OFFICE
 6760 South Clementine Ct.
 Tempe, AZ 85283
 (800) 835-9673 or (480) 966-8999
 Fax: (480) 968-4108

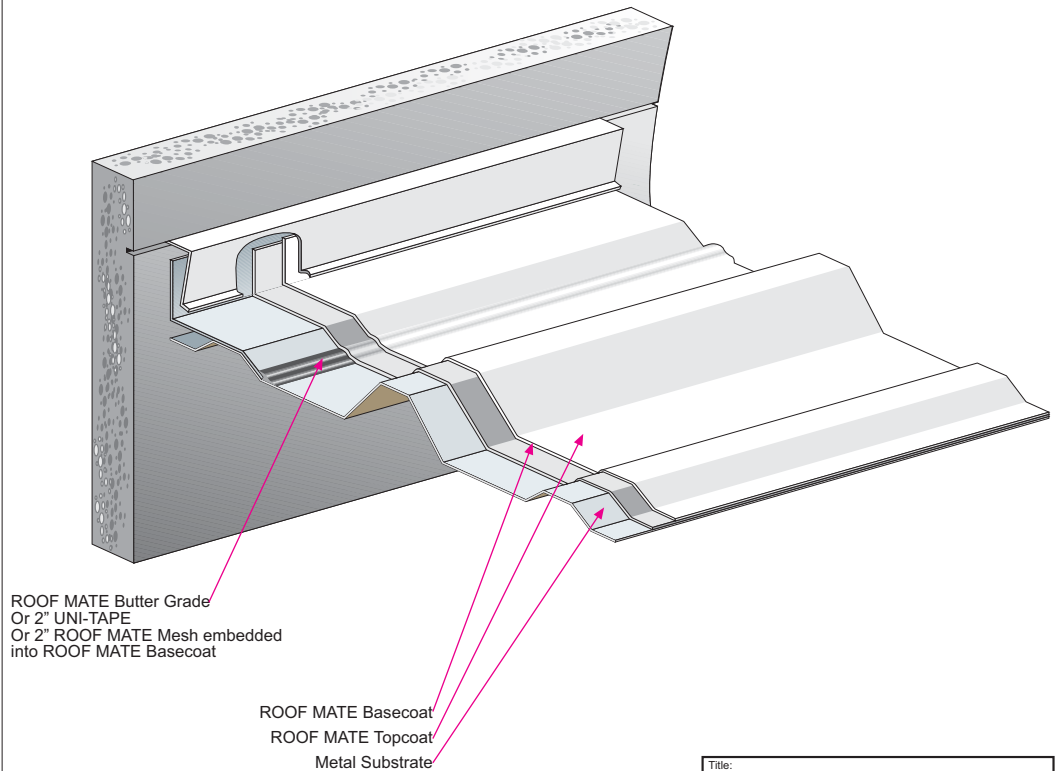
www.unitedcoatings.com

UNITED COATINGS is a ISO 9001:2000 registered company.

ROOF MATE

The ROOF MATE Roof Preservation System forms a durable waterproofing membrane designed to extend the life of virtually any new or existing roof substrate.

- Reflects 85+% of the sun's rays
- Dramatically reduces interior temperatures
- Monolithic, liquid-applied; no seams or fasteners
- Fully sustainable 5, 10 and 15 year warranties
- Apply to virtually any roof substrate
- Reduces "Heat Island" effect
- Tax deductible as a maintenance expense
- UL, FM, ICBO, CRRC, ICC, ENERGY STAR listed
- NOA 03-1223.02
 Miami-Dade County, Florida
 Expiration Date 04/01/09
- Classified cool construction material



Title:
ROOF MATE
 Concrete Parapet Termination w/ Counter-Flashing
 Version: 01 Supersedes 04/18/06 Date: 06/14/07



COMPANY HEADQUARTERS
 19011 E. Cataldo Ave.
 Spokane Valley, WA 99016
 (800) 541-4383 or (509) 926-7143
 Fax: (509) 928-1116

ARIZONA OFFICE
 6760 South Clementine Ct.
 Tempe, AZ 85283
 (800) 835-9673 or (480) 966-8999
 Fax: (480) 968-4108

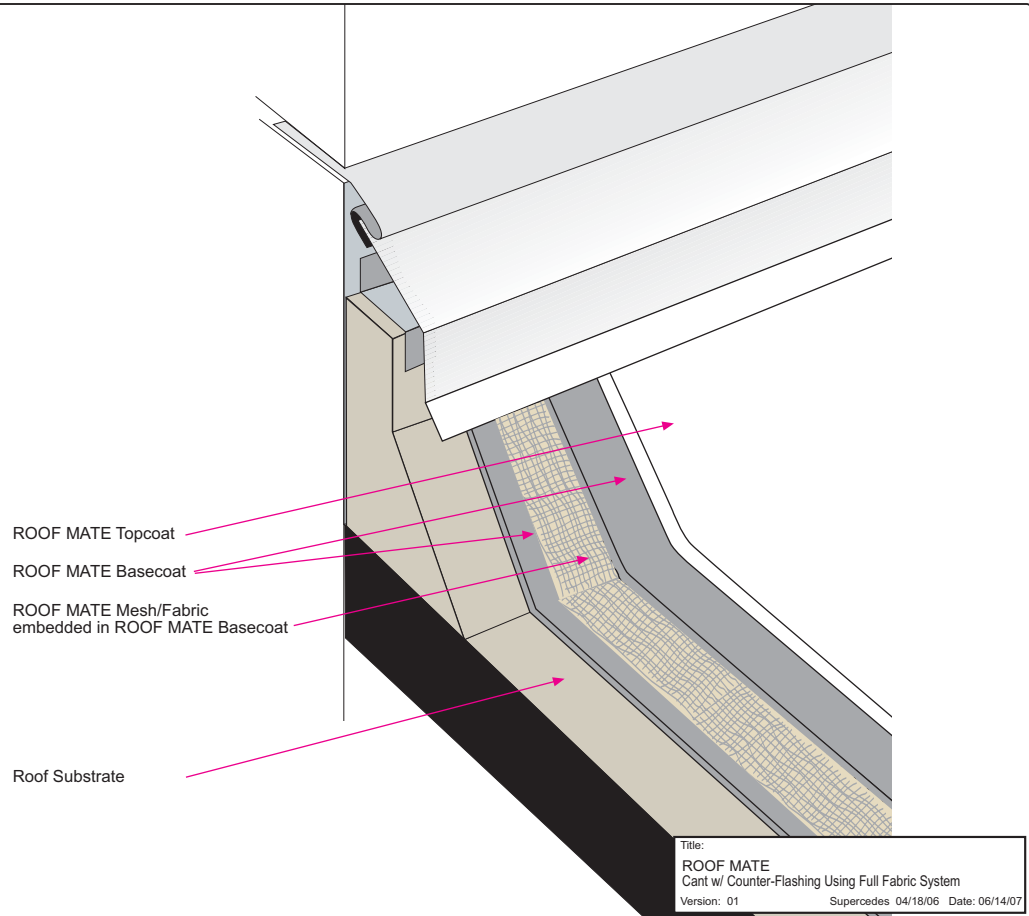
www.unitedcoatings.com

UNITED COATINGS is a ISO 9001:2000 registered company.

ROOF MATE

The ROOF MATE Roof Preservation System forms a durable waterproofing membrane designed to extend the life of virtually any new or existing roof substrate.

- Reflects 85+% of the sun's rays
- Dramatically reduces interior temperatures
- Monolithic, liquid-applied; no seams or fasteners
- Fully sustainable 5, 10 and 15 year warranties
- Apply to virtually any roof substrate
- Reduces "Heat Island" effect
- Tax deductible as a maintenance expense
- UL, FM, ICBO, CRRC, ICC, ENERGY STAR listed
- NOA 03-1223.02
 Miami-Dade County, Florida
 Expiration Date 04/01/09
- Classified cool construction material



Title:
ROOF MATE
 Cant w/ Counter-Flashing Using Full Fabric System
 Version: 01 Supersedes 04/18/06 Date: 06/14/07



COMPANY HEADQUARTERS
 19011 E. Cataldo Ave.
 Spokane Valley, WA 99016
 (800) 541-4383 or (509) 926-7143
 Fax: (509) 928-1116

ARIZONA OFFICE
 6760 South Clementine Ct.
 Tempe, AZ 85283
 (800) 835-9673 or (480) 966-8999
 Fax: (480) 968-4108

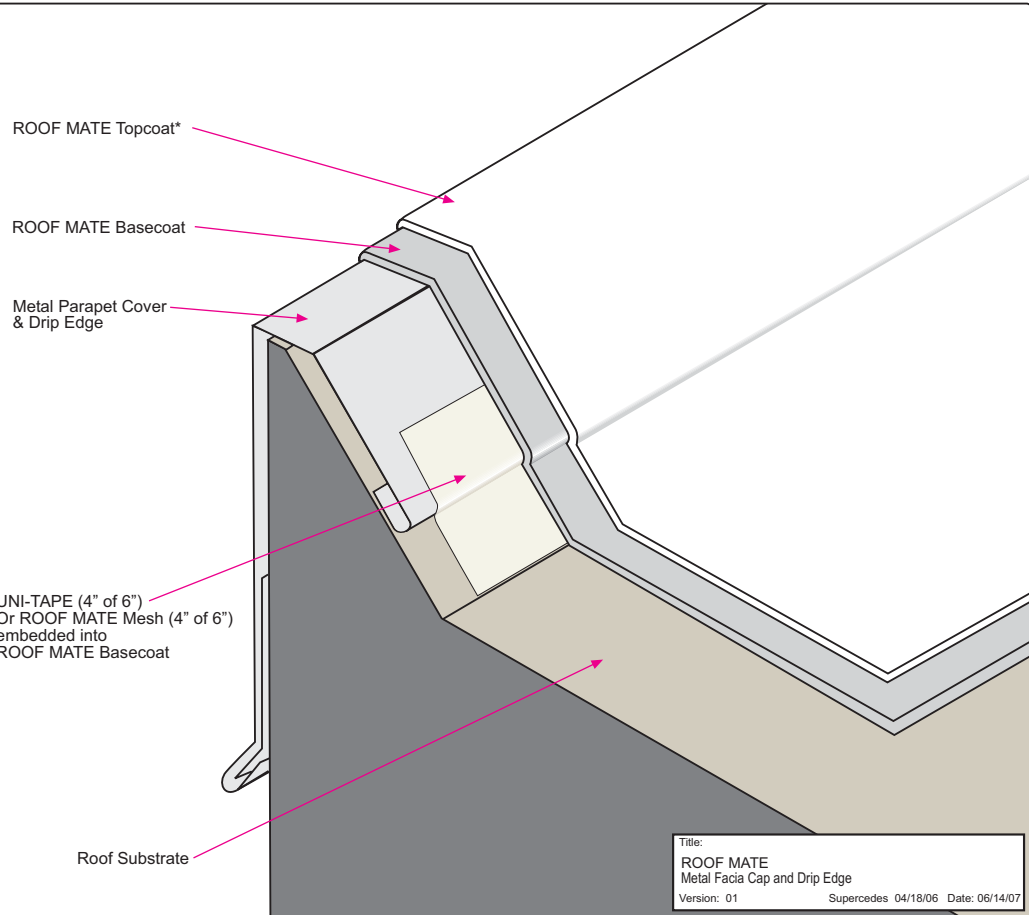
www.unitedcoatings.com

UNITED COATINGS is a ISO 9001:2000 registered company.

ROOF MATE

The ROOF MATE Roof Preservation System forms a durable waterproofing membrane designed to extend the life of virtually any new or existing roof substrate.

- Reflects 85+% of the sun's rays
- Dramatically reduces interior temperatures
- Monolithic, liquid-applied; no seams or fasteners
- Fully sustainable 5, 10 and 15 year warranties
- Apply to virtually any roof substrate
- Reduces "Heat Island" effect
- Tax deductible as a maintenance expense
- UL, FM, ICBO, CRRC, ICC, ENERGY STAR listed
- NOA 03-1223.02
 Miami-Dade County, Florida
 Expiration Date 04/01/09
- Classified cool construction material



Title:
ROOF MATE
 Metal Facia Cap and Drip Edge
 Version: 01 Supersedes 04/18/06 Date: 06/14/07



COMPANY HEADQUARTERS
 19011 E. Cataldo Ave.
 Spokane Valley, WA 99016
 (800) 541-4383 or (509) 926-7143
 Fax: (509) 928-1116

ARIZONA OFFICE
 6760 South Clementine Ct.
 Tempe, AZ 85283
 (800) 835-9673 or (480) 966-8999
 Fax: (480) 968-4108

www.unitedcoatings.com

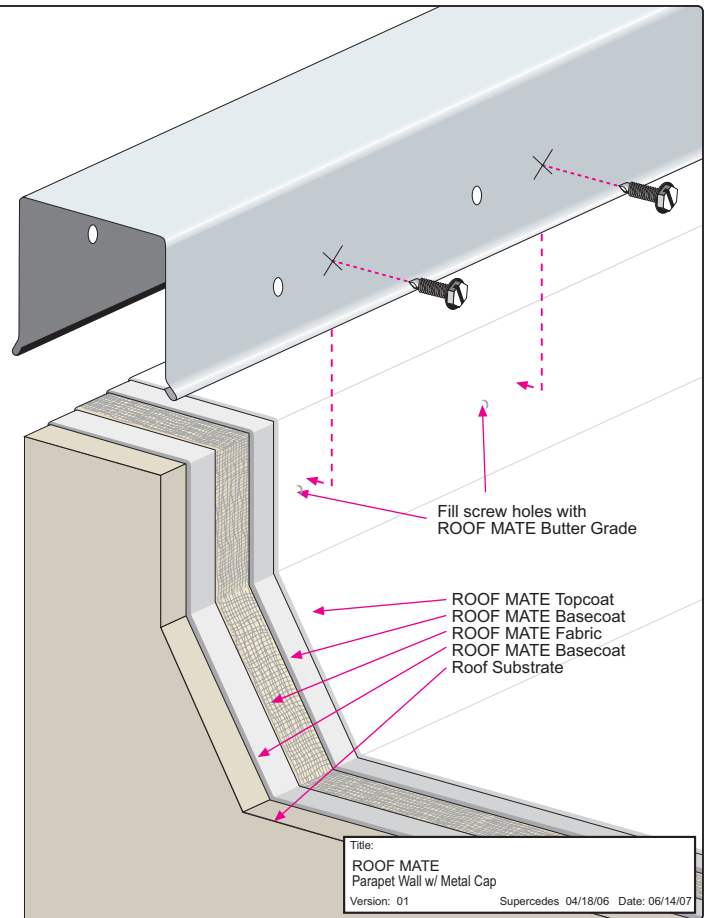
UNITED COATINGS is a ISO 9001:2000 registered company.

ROOF MATE

The ROOF MATE Roof Preservation System forms a durable waterproofing membrane designed to extend the life of virtually any new or existing roof substrate.

- Reflects 85+% of the sun's rays
- Dramatically reduces interior temperatures
- Monolithic, liquid-applied; no seams or fasteners
- Fully sustainable 5, 10 and 15 year warranties
- Apply to virtually any roof substrate
- Reduces "Heat Island" effect
- Tax deductible as a maintenance expense
- UL, FM, ICBO, CRRC, ICC, ENERGY STAR listed
- NOA 03-1223.02
 Miami-Dade County, Florida
 Expiration Date 04/01/09
- Classified cool construction material

Remove metal ridge cap prior to application of ROOF MATE. Replace after coating has cured. Use new screws positioned at least 1" (2.5 cm) horizontally from the original hole.



Title:
ROOF MATE Parapet Wall w/ Metal Cap
 Version: 01 Supersedes 04/18/06 Date: 06/14/07



COMPANY HEADQUARTERS
 19011 E. Cataldo Ave.
 Spokane Valley, WA 99016
 (800) 541-4383 or (509) 926-7143
 Fax: (509) 928-1116

ARIZONA OFFICE
 6760 South Clementine Ct.
 Tempe, AZ 85283
 (800) 835-9673 or (480) 966-8999
 Fax: (480) 968-4108

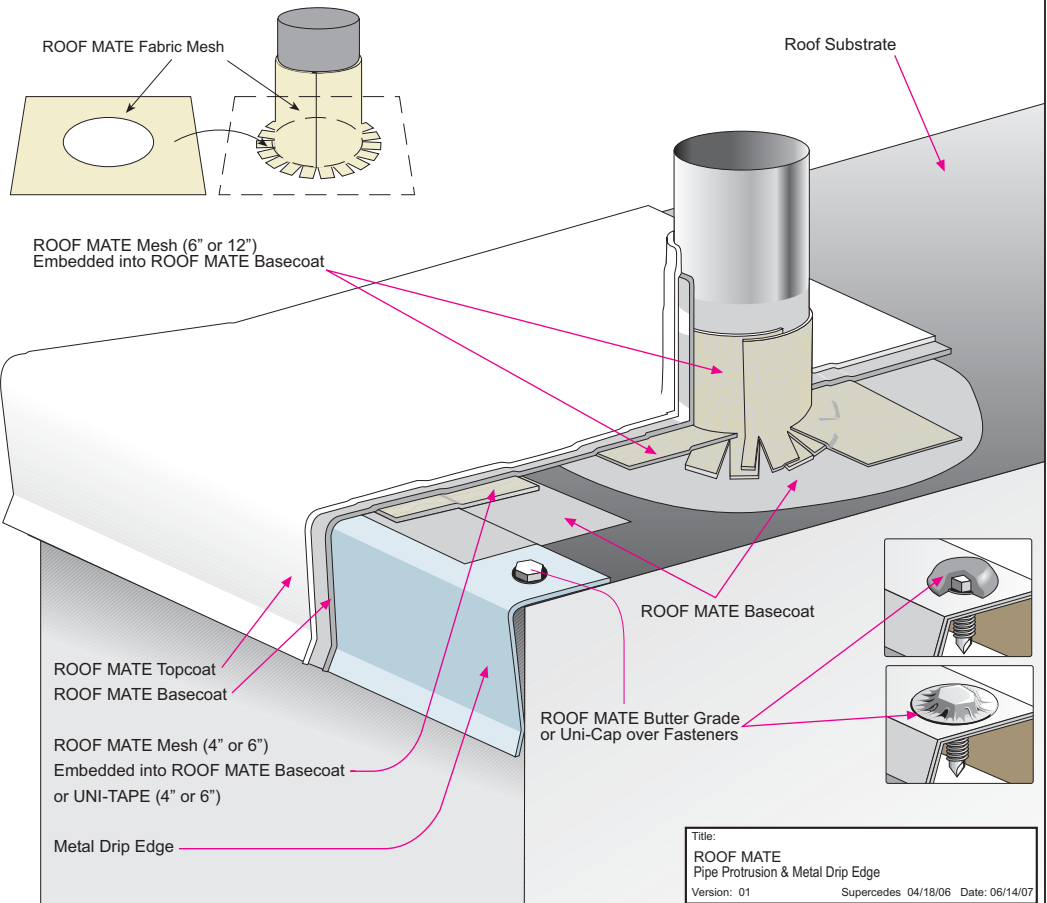
www.unitedcoatings.com

UNITED COATINGS is a ISO 9001:2000 registered company.

ROOF MATE

The ROOF MATE Roof Preservation System forms a durable waterproofing membrane designed to extend the life of virtually any new or existing roof substrate.

- Reflects 85+% of the sun's rays
- Dramatically reduces interior temperatures
- Monolithic, liquid-applied; no seams or fasteners
- Fully sustainable 5, 10 and 15 year warranties
- Apply to virtually any roof substrate
- Reduces "Heat Island" effect
- Tax deductible as a maintenance expense
- UL, FM, ICBO, CRRC, ICC, ENERGY STAR listed
- NOA 03-1223.02
 Miami-Dade County, Florida
 Expiration Date 04/01/09
- Classified cool construction material



Title:
ROOF MATE Pipe Protrusion & Metal Drip Edge
 Version: 01 Supersedes 04/18/06 Date: 06/14/07



COMPANY HEADQUARTERS

19011 E. Cataldo Ave.
 Spokane Valley, WA 99016
 (800) 541-4383 or (509) 926-7143
 Fax: (509) 928-1116

ARIZONA OFFICE

6760 South Clementine Ct.
 Tempe, AZ 85283
 (800) 835-9673 or (480) 966-8999
 Fax: (480) 968-4108

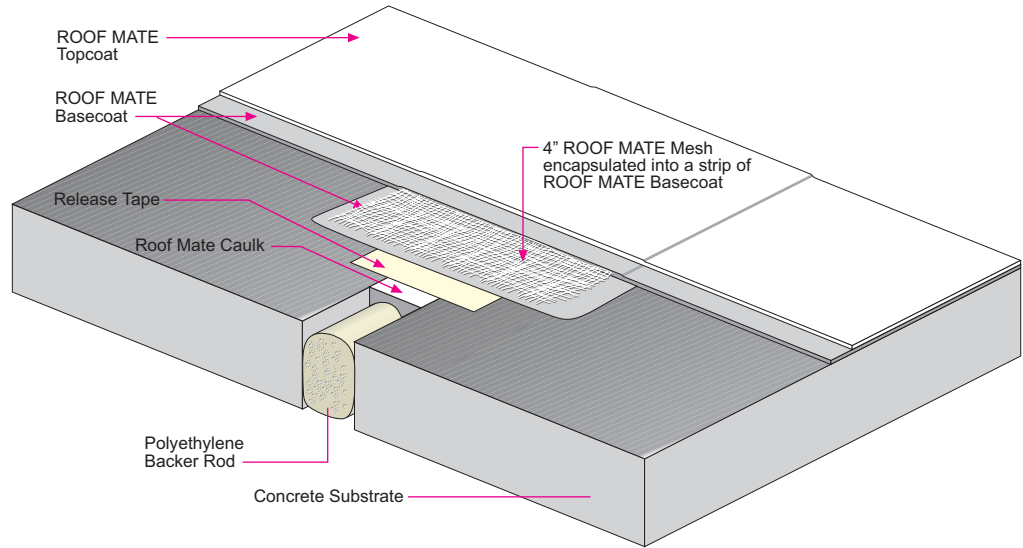
www.unitedcoatings.com

UNITED COATINGS is a ISO 9001:2000 registered company.

ROOF MATE

The ROOF MATE Roof Preservation System forms a durable waterproofing membrane designed to extend the life of virtually any new or existing roof substrate.

- Reflects 85+% of the sun's rays
- Dramatically reduces interior temperatures
- Monolithic, liquid-applied; no seams or fasteners
- Fully sustainable 5, 10 and 15 year warranties
- Apply to virtually any roof substrate
- Reduces "Heat Island" effect
- Tax deductible as a maintenance expense
- UL, FM, ICBO, CRRC, ICC, ENERGY STAR listed
- NOA 03-1223.02
 Miami-Dade County, Florida
 Expiration Date 04/01/09
- Classified cool construction material



Title:
ROOF MATE
 Moving Crack / Control Joint Over Concrete
 Version: 01 Supersedes 04/18/06 Date: 06/14/07



COMPANY HEADQUARTERS

19011 E. Cataldo Ave.
 Spokane Valley, WA 99016
 (800) 541-4383 or (509) 926-7143
 Fax: (509) 928-1116

ARIZONA OFFICE

6760 South Clementine Ct.
 Tempe, AZ 85283
 (800) 835-9673 or (480) 966-8999
 Fax: (480) 968-4108

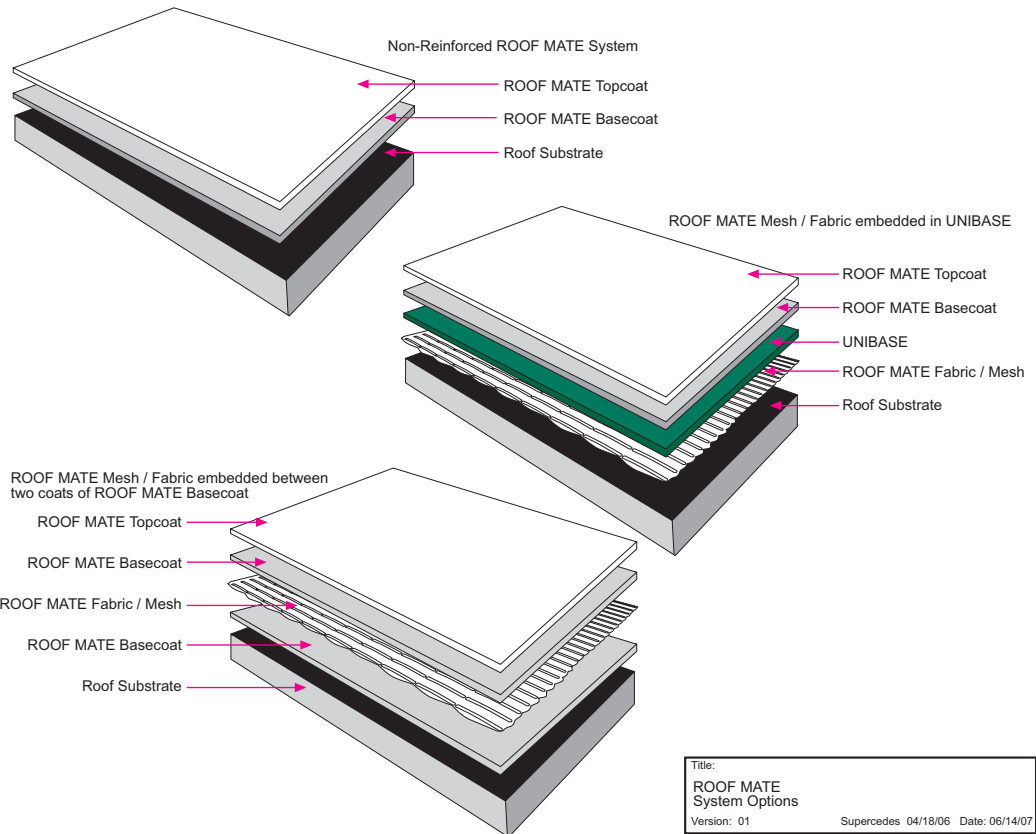
www.unitedcoatings.com

UNITED COATINGS is a ISO 9001:2000 registered company.

ROOF MATE

The ROOF MATE Roof Preservation System forms a durable waterproofing membrane designed to extend the life of virtually any new or existing roof substrate.

- Reflects 85+% of the sun's rays
- Dramatically reduces interior temperatures
- Monolithic, liquid-applied; no seams or fasteners
- Fully sustainable 5, 10 and 15 year warranties
- Apply to virtually any roof substrate
- Reduces "Heat Island" effect
- Tax deductible as a maintenance expense
- UL, FM, ICBO, CRRC, ICC, ENERGY STAR listed
- NOA 03-1223.02
 Miami-Dade County, Florida
 Expiration Date 04/01/09
- Classified cool construction material



Title:
ROOF MATE
 System Options
 Version: 01 Supersedes 04/18/06 Date: 06/14/07



COMPANY HEADQUARTERS

19011 E. Cataldo Ave.
Spokane Valley, WA 99016
(800) 541-4383 or (509) 926-7143
Fax: (509) 928-1116

ARIZONA OFFICE

6760 South Clementine Ct.
Tempe, AZ 85283
(800) 835-9673 or (480) 966-8999
Fax: (480) 968-4108

www.unitedcoatings.com

UNITED COATINGS is a ISO 9001:2000 registered company.

ROOF MATE

The ROOF MATE Roof Preservation System forms a durable waterproofing membrane designed to extend the life of virtually any new or existing roof substrate.

- Reflects 85+% of the sun's rays
- Dramatically reduces interior temperatures
- Monolithic, liquid-applied; no seams or fasteners
- Fully sustainable 5, 10 and 15 year warranties
- Apply to virtually any roof substrate
- Reduces "Heat Island" effect
- Tax deductible as a maintenance expense
- UL, FM, ICBO, CRRC, ICC, ENERGY STAR listed
- NOA 03-1223.02

Miami-Dade County, Florida

Expiration Date 04/01/09

- Classified "Cool Construction" material

ROOF MATE Fabric cut to size and encapsulated in **ROOF MATE Butter Grade**.

NOTE: It is important to work quickly during this entire detail process. DO NOT allow the butter grade to dry between coats or the fabric will not be properly encapsulated.

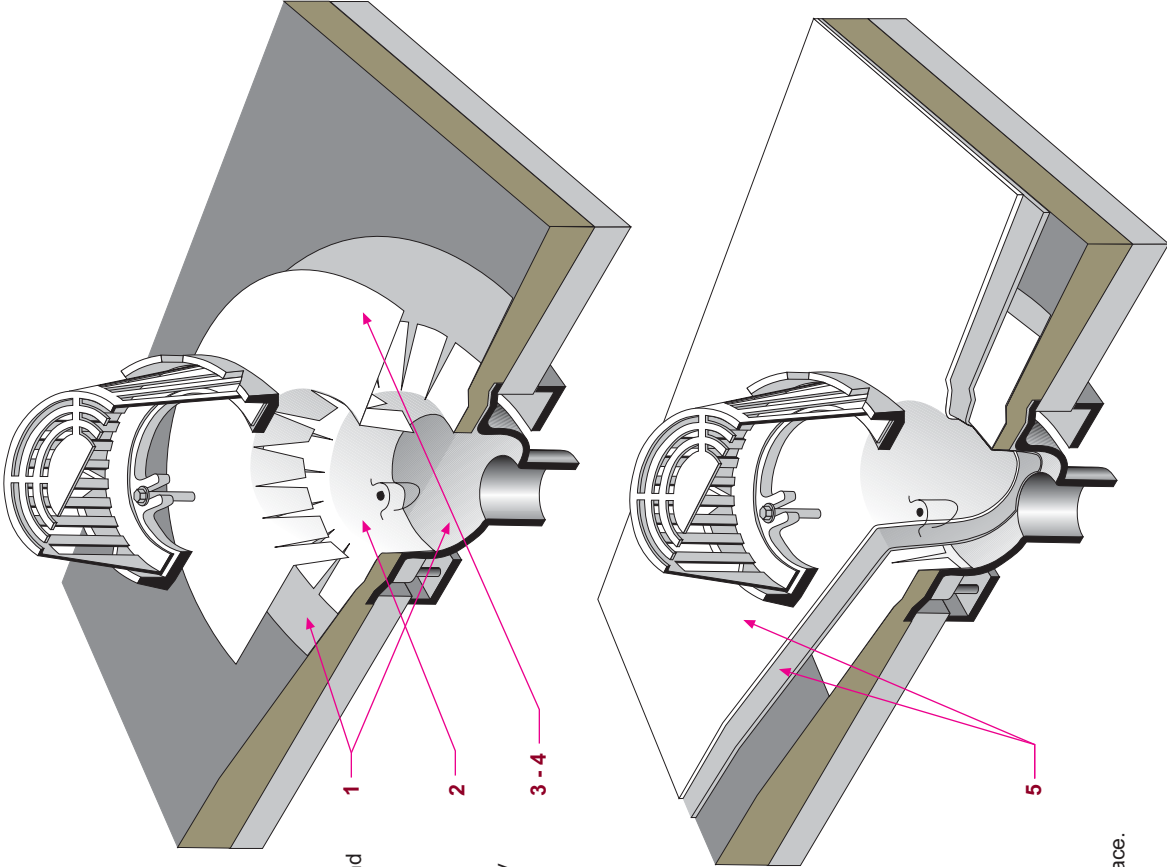
STEP 1: Using a 3" to 4" (7.5 to 10 cm) paintbrush, liberally apply a coat of **ROOF MATE Butter Grade** to the entire drain bowl. Extend the butter grade approximately 6" (15 cm) beyond the bowl rim and onto the roof surface in all directions.

STEP 2: While the butter grade is still wet, cut a strip of **ROOF MATE Fabric** long enough to line the interior diameter of the drain bowl with a 1" to 2" (2.5 to 5 cm) overlap. The fabric should be wide enough to fit approximately half way to the bottom of the bowl while also extending 3" to 4" (7.5 to 10 cm) above the bowl rim. Cut the fabric extending above the bowl rim into flanges, flattening them into the wet butter grade with the brush in a pattern extending away from the bowl. Apply additional **ROOF MATE Butter Grade** to completely encapsulate the fabric.

STEP 3: Cut a second, circular piece of **ROOF MATE Fabric** just large enough to cover the drain and fabric flanges of the first piece of fabric. Fold the fabric in half and then in half again to find the center. Use scissors to cut off enough of the point to create a hole in the exact center of the fabric that is not more than 1/2 the diameter of the drain bowl.

STEP 4: Unfold the circular piece of fabric and center it over the drain. Apply additional **ROOF MATE Butter Grade** around the perimeter of the drain if it is not still wet enough to absorb into the fabric. Cut the fabric into flanges extending outward from the center of the hole to the edge of the bowl. Use the brush to smooth the fabric flanges down into the bowl, working out any air pockets or wrinkles. Apply additional butter grade to completely encapsulate the **ROOF MATE Fabric**, extending it 1" to 2" (2.5 to 5 cm) beyond the edge of the fabric around the perimeter of the drain on the roof surface.

STEP 5: Coat over the entire detailed area with **ROOF MATE** basecoat and topcoat as it is applied to the balance of the roof, per project specifications. Refer to appropriate Master Guide Specifications for complete application instructions.



Title:
ROOF MATE
Fabric reinforced drain
Version: 01

Supersedes 04/18/06 Date: 06/14/07